

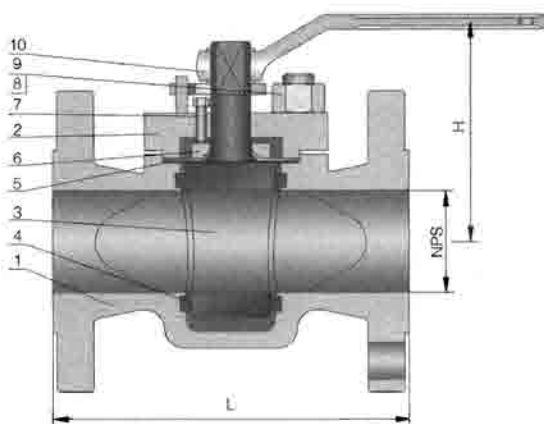


Applicable standards:

- ★ STEEL PLUG VALVES, API 599/API 6D
- ★ STEEL PLUG VALVES, ISO 14313
- ★ FIRE DURABLE, API 607
- ★ ANTI STATIC, API 599
- ★ STEEL VALVES, ASME B16.34
- ★ FACE TO FACE, ASME B16.10
- ★ END FLANGES, ASME B16.5
- ★ BUTTWELDING ENDS, ASME B16.25
- ★ INSPECTION AND TEST, API 598/API 6D

Fig. No:

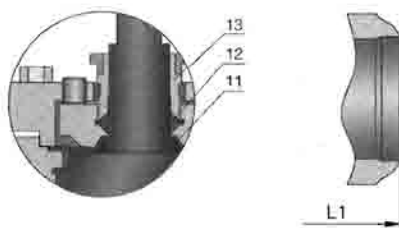
- P1F57A
- P1F59L
- P1F57B
- P3F57A
- P3F59L
- P3F57B
- P1B57A
- P1B59L
- P1B57B
- P3B57A
- P3B59L
- P3B57B



Materials of parts

NO	Part Name	ASTM Material		
		Carbon Steel	18Cr-9Ni-2Mo	Carbon Steel
1	Body	A216-WCB	A351-CF8M	A352-LCB
2	Bonnet Cap	A216-WCB	A351-CF8M	A352-LCB
3	Plug	A182-F304 ¹⁾	A182-F316	A182-F304 ¹⁾
4	Sleeve	Glass Filled PTFE		
5	Bonnet Gasket	Graphite+304 ²⁾	Graphite+316 ²⁾	Graphite+304 ²⁾
6	Adjusting Gasket	A182-F6a	A182-F316	A182-F6a
7	Adjusting Bolt	A193-B7	A193-B8	A320-L7
8	Bonnet Stud	A193-B7	A193-B8	A320-L7
9	Bonnet Bolt	A194-2H	A194-8	A194-4
10	Handle	Carbon Steel		
11	Diaphragm	A167-304+PTFE	A167-316+PTFE	A167-304+PTFE
12	Packing	Graphite		
13	Gland Flange	A216-WCB	A217-WC6	A352-LCB

Note: 1), A105+ENP optional
2), Jacketed construction



Design description:

- ▲ RUGGED, HEAVY-DUTY BODY
- ▲ BOLTED BONNET CAP
- ▲ PTFE SLEEVED, TAPERED PLUG
- ▲ LARGE PORT OPENINGS
- ▲ NON-LUBRICATED
- ▲ STEM INTEGRAL WITH PLUG
- ▲ IN-LINE ADJUSTMENT
- ▲ FIRE DURABLE CONSTRUCTION
- ▲ ANTI STATIC DEVICE
- ▲ STOPPER DEVICE
- ▲ RENEWABLE SEAT RING
- ▲ FLANGED OR BUTTWELDING ENDS
- ▲ AVAILABLE WITH WG OPERATOR

Dimensions data

NPS	DN	L (RF)		L1 (BW)		H		W		WT (Kg)		L (RF)		L1 (BW)		H		W		WT (Kg)	
		in.	mm	in.	mm	in.	mm	in.	mm	in.	mm	in.	mm	in.	mm	in.	mm	in.	mm	in.	mm
ANSI Class 150Lb																					
2	50	7.00	178	10.50	267	6.00	150	13	320	17	13	8.5	216	10.50	267	6.00	150	13	320	17	13
2½	65	7.50	191	12.00	305	6.50	165	14	350	20	14	9.5	241	12.00	305	6.50	165	14	350	20	14
3	80	8.00	203	13.00	330	7.12	180	16	410	25	17.5	11.0	283	13.00	330	7.12	180	16	410	25	17.5
4	100	9.00	229	14.00	356	15.00	380	13	320	40	29	12.0	305	14.00	356	15.00	380	13	320	40	29
6	150	10.50	267	18.00	457	20.50	520	13	320	70	55	16.0	403	18.00	457	20.50	520	13	320	70	55
8	200	11.50	292	20.50	521	22.88	580	13	320	135	110	16.5	419	20.50	521	22.88	580	13	320	135	110
10	250	13.00	330	22.00	559	24.50	620	14	350	220	185	18.0	457	22.00	559	24.50	620	14	350	220	185
12	300	14.00	356	25.00	635	26.75	680	15	380	300	247	20.0	502	25.00	635	26.75	680	15	380	300	247
in.	mm	in.	mm	in.	mm	in.	mm	in.	mm	RF	BW	in.	mm	in.	mm	in.	mm	in.	mm	RF	BW



Cast Steel Plug Valve

600Lb/900Lb

Applicable standards:

- ★ STEEL PLUG VALVES, API 599/API 6D
- ★ STEEL PLUG VALVES, ISO 14313
- ★ FIRE DURABLE, API 607
- ★ ANTI STATIC, API 599
- ★ STEEL VALVES, ASME B16.34
- ★ FACE TO FACE, ASME B16.10
- ★ END FLANGES, ASME B16.5
- ★ BUTTWELDING ENDS, ASME B16.25
- ★ INSPECTION AND TEST, API 598/API 6D

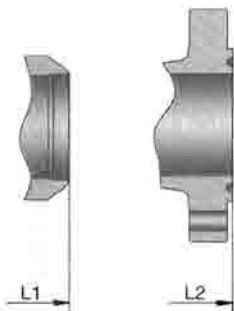
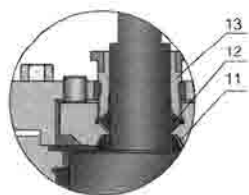
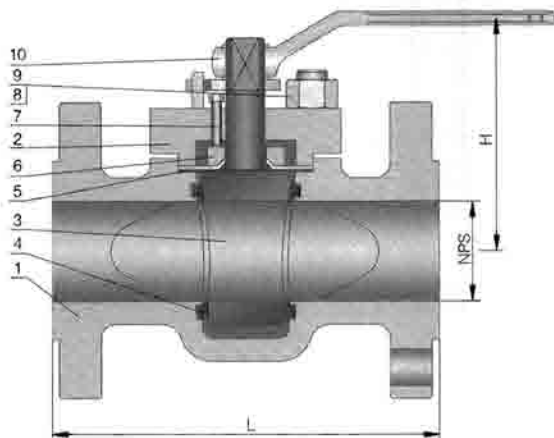
Fig. No:

○ P6F57A	P6F59L	P6F57B	○ P9F57A	P9F59L	P9F57B
○ P6B57A	P6B59L	P6B57B	○ P9B57A	P9B59L	P9B57B
○ P6R57A	P6R59L	P6R57B	○ P9R57A	P9R59L	P9R57B

Materials of parts

NO	Part Name	ASTM Material		
		Carbon Steel	18Cr-9Ni-2Mo	Carbon Steel
1	Body	A216-WCB	A351-CF8M	A352-LCB
2	Bonnet Cap	A216-WCB	A351-CF8M	A352-LCB
3	Plug	A182-F304 ⁽¹⁾	A182-F316	A182-F304 ⁽¹⁾
4	Sleeve	Glass Filled PTFE		
5	Bonnet Gasket	Graphite+304 ⁽²⁾	Graphite+316 ⁽²⁾	Graphite+304 ⁽²⁾
6	Adjusting Gasket	A182-F6a	A182-F316	A182-F6a
7	Adjusting Bolt	A193-B7	A193-B8	A320-L7
8	Bonnet Stud	A193-B7	A193-B8	A320-L7
9	Bonnet Bolt	A194-2H	A194-8	A194-4
10	Handle	Carbon Steel		
11	Diaphragm	A216-WCB	A217-WC6	A352-LCB
12	Packing	Graphite		
13	Gland Flange	A216-WCB	A217-WC6	A352-LCB

Note: 1). A105+ENP optional
2). Jacketed construction.



Design description:

- ▲ RUGGED, HEAVY-DUTY BODY
- ▲ BOLTED BONNET CAP
- ▲ PTFE SLEEVED, TAPERED PLUG
- ▲ LARGE PORT OPENINGS
- ▲ NON-LUBRICATED
- ▲ STEM INTEGRAL WITH PLUG
- ▲ IN-LINE ADJUSTMENT
- ▲ FIRE DURABLE CONSTRUCTION
- ▲ ANTI STATIC DEVICE
- ▲ STOPPER DEVICE
- ▲ RENEWABLE SEAT RING
- ▲ FLANGED OR BUTTWELDING ENDS
- ▲ AVAILABLE WITH WG OPERATOR

Dimensions data

NPS	DN	L/L1 (RF/BW)	L2 (RTJ)	H	W	WT (Kg)	L/L1 (RF/BW)	L2 (RTJ)	H	W	WT (Kg)	
						ANSI Class 600Lb						
						ANSI Class 900Lb						
2	50	11.50	292	11.62	295	6.12	155	14	350	28	21	
2½	65	13.00	330	13.12	333	6.75	170	16	410	33	23.5	
3	80	14.00	356	14.12	359	7.25	185	13	320	37	23	
4	100	16.00	432	16.12	435	15.38	390	13	320	75	46	
6	150	19.50	559	19.62	562	20.88	530	13	320	142	97	
8	200	23.50	660	23.62	664	23.25	590	14	350	250	167	
10	250	26.50	787	26.62	791	24.88	630	15	380	365	227	
12	300	30.00	838	30.12	841	27.12	690	15	380	515	354	
in.	mm	in.	mm	in.	mm	in.	mm	in.	mm	RF/RTJ	BW	