



INDUSTRIAL VALVES

## PRODUCT LIST





## WE SHAPE YOUR DAMPERS

✦ **PASCO** has asserted itself on the Damper international market, becoming a leader in the service of Engineering Companies, Power Plants, Dedusting, Renewables, Combustion, Boilers and Cogeneration.

✦ **PASCO** Thanks to its service and technical expertise, design skills and passion for its work, **PASCO** welcomes and develops the most demanding requests, designing and fabricating in compliance with customized applications. Our company follows the entire production cycle from consultancy and planning, to production, after-sales assistance and supply of spare parts.

✦ **PASCO** continues its development focusing on customer satisfaction through a continuous study of innovative and cutting-edge solutions, passionately welcoming every new challenge.



## PAMM701

### Butterfly Damper Valve

For Control or On/Off Service  
DN 150 - 1500  
Max Leakage Class III (FCI 70-2)  
End Connections: Wafer, Flanged  
Material: Carbon Steel, AISI 304,  
AISI316



CE Ex EAC

## PAMM704

### Butterfly Damper Valve

For Control or On/Off Service  
DN 50 - 125  
Max Leakage Class I (FCI 70-2)  
End Connections: Wafer  
Material: AISI316



CE Ex EAC

## PAMM705

### Multi-Blade Damper Valve

Modulating Service  
DN 300 - 3000  
End Connections: Wafer, Flanged  
Material: Carbon Steel, Corten,  
AISI 304, AISI316



CE Ex EAC

## PAMM708

### Butterfly Damper Valve (Heavy Duty)

For Control or On/Off Service  
DN 200 - 3000  
Max Leakage Class III (FCI 70-2)  
End Connections: Wafer, Flanged  
Material: Carbon Steel, Corten,  
AISI 304, AISI316

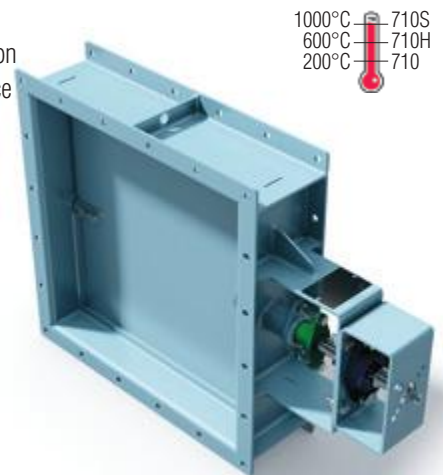


CE Ex EAC

## PAMM710

### Louver Damper Valve

Rectangular or Square section  
For Control or On/Off Service  
Size Range upon request  
End Connections: Flanged  
Material: Carbon Steel,  
Corten, AISI 304, AISI316,  
AISI 310, AISI 321

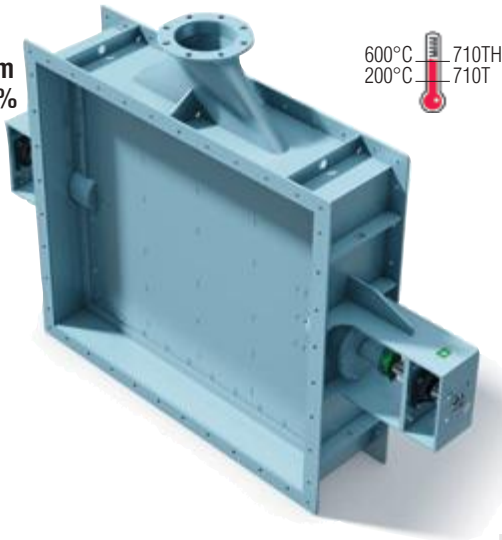


CE Ex EAC

## PAMM710T

### Louver Damper Valve with Air Sealing System for Total Tightness 100%

Rectangular or Square section  
For Control or On/Off Service  
Size Range upon request  
Total Tightness 100%  
End Connections: Flanged  
Material: Carbon Steel, Corten, AISI 304, AISI316



CE Ex EAC

## PAMM715

### Radial Vane Damper Valve

Modulating Service  
DN 300 -2000  
End Connections: Flanged  
Material: Carbon Steel, AISI 304, AISI316

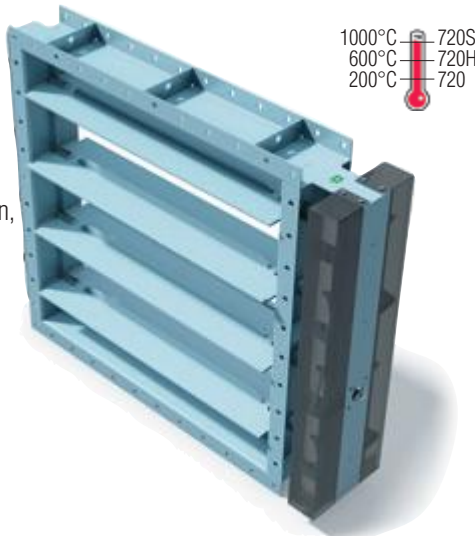


CE Ex EAC

## PAMM720

### Multi Louver Damper

Rectangular or Square section  
Modulating Service  
Size Range upon request  
End Connections: Flanged  
Material: Carbon Steel, Corten, AISI 304, AISI316, AISI 310, AISI 321



CE Ex EAC

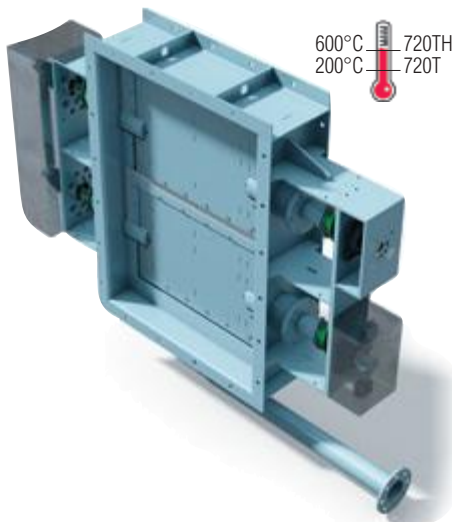
### APPLICATIONS

- Fluids: Air, Gas and Fumes
- CHP and Incineration Plants (Waste to Energy)
- Biomass, Biogas and Renewable Energy Plants
- Steel Industry and Furnaces
- Glass Industry
- Cement Plants
- Air Pollution and Filtration (Dedusting)
- Power Plants
- Heat Recovery Systems
- Boilers and Burners
- Chemical Industry
- Oil and Gas
- HVAC
- Thermal Oxidizers

## PAMM720T

### Multi Louver Damper with Air Sealing System for Total Tightness 100%

Rectangular or Square section  
Modulating Service  
Size Range upon request  
Total Tightness 100%  
End Connections: Flanged  
Material: Carbon Steel, Corten, AISI 304, AISI316



CE Ex EAC

## PAMM731

### Butterfly Damper Valve

For Control or On/Off Service  
DN 150 -1500  
Max Leakage Class III (FCI 70-2)  
End Connections: Wafer, Flanged  
Material: Carbon Steel, Corten, AISI 304, AISI316



CE Ex EAC

## PAMM740

### Ø Leakage Damper Valve - Double Eccentric

For Control or On/Off Service

DN 150 - 2000

Max Leakage Class VI Ø Leakage - Total Tightness (FCI 70-2)

End Connections: Wafer, Flanged

Material: Carbon Steel,

AISI 304, AISI316

Seat: Silicon, NBR, Viton, EPDM



CE Ex EAC SIL

## PAMM740PH

### Ø Leakage Damper Valve for corrosive media - Double Eccentric

For Control or On/Off Service

DN 150 - 2000

Max Leakage Class VI Ø Leakage - Total Tightness (FCI 70-2)

End Connections: Wafer, Flanged

Material: Carbon Steel, Corten,

AISI 304, AISI 316

Seat: FEP, PFA



CE Ex EAC SIL

## PAMM750

### Butterfly Double Blade Damper Valve with Air Sealing System for Total Tightness 100%

For Control or On/Off Service

DN 150 - 3000

Max Leakage Class VI Ø Leakage - Total Tightness (FCI 70-2)

with air sealing system

End Connections: Wafer, Flanged

Material: Carbon Steel, Corten,

AISI 304, AISI 316



CE Ex EAC

## PAMM761

### Guillotine Damper (SLIDE GATE)

Circular, Square, Rectangular section

For Control or On/Off Service

DN 150 - 3000

Max Leakage Class III (FCI 70-2)

End Connections: Flanged

Material: Carbon Steel, Corten, AISI 304,

AISI 316, AISI 310, AISI 321



CE Ex EAC

## PAMM755

### By-Pass Damper

For Control or On/Off Service

DN 100 - 2500

Max Leakage Class III (FCI 70-2)

End Connections:

Flanged

Material: Carbon Steel,

Corten, AISI 304,

AISI 316

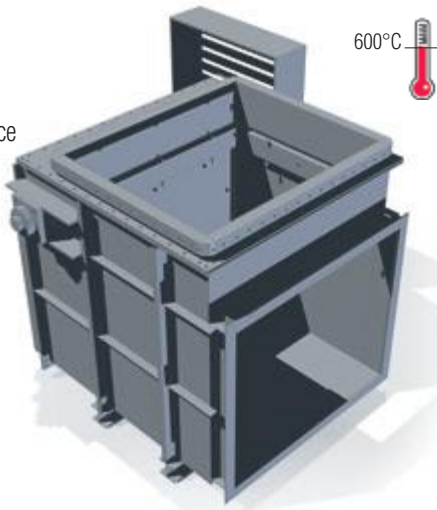


CE Ex EAC

## PAMM770

### Diverter Damper Valve (Gas Distributor)

Size Range upon request  
For Control or On/Off Service  
Max Leakage Class III  
(FCI 70-2)  
End Connections: Flanged  
Material: Carbon Steel,  
Corten, AISI 304, AISI 316



CE Ex EAC

## PAMM780

### Butterfly Damper Valve - High Temperature

For Control or On/Off Service  
DN 150 - 1500  
Max Leakage Class III (FCI 70-2)  
End Connections: Wafer, Flanged  
For Control or On/Off Service  
Material: AISI 310, AISI 321



CE Ex EAC

## PAMM785

### Fiber-Lined Damper Valve

For Control or On/Off Service  
DN 150 - 2500  
Max Leakage Class III (FCI 70-2)  
End Connections: Flanged  
Material: Carbon Steel, Corten,  
AISI 304, AISI 316, AISI 310,  
AISI 321



CE Ex EAC

## PAMM786

### Refractory Lined Damper Valve

For Control or On/Off Service  
DN 150 - 2500  
Max Leakage Class III (FCI 70-2)  
End Connections: Flanged  
Material: Carbon Steel, Corten,  
AISI 304, AISI 316, AISI 310, AISI 321

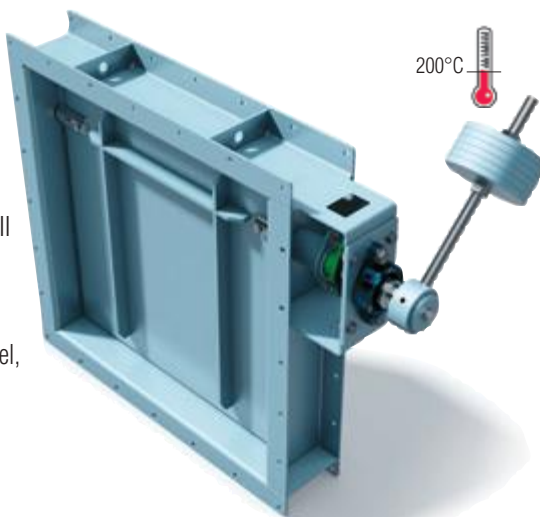


CE Ex EAC

## PAMM790

### Counterweight non-return Damper Valve

Circular, Square,  
Rectangular section  
DN 150 - 2500  
Max Leakage Class III  
(FCI 70-2)  
End Connections:  
Wafer, Flanged  
Material: Carbon Steel,  
AISI 304, AISI 316



CE Ex EAC

**PASCO ACCESSORIES**

- \* Pneumatic/Hydraulic Actuators
- \* Electric Actuators
- \* Limit Switches
- \* Solenoids
- \* Positioners



**100 Lancing Drive, Unit#5, Hamilton, Ontario, L8W 3L6**  
**PH# 289-335-0331**  
**[www.pascovalves.com](http://www.pascovalves.com)**